

Product Certificate Number	21829-2-CER
Applicant	Dabico Airport Solutions Gottlieb-Daimler-Staße 7 63128. Dietzenbach. Germany
Models	F-CP-2004038-001
Type of unit	Power Pack
Technical Data	See page 2
Software version	0.22
Standard	MIL-STD-704E Aircraft electric power characteristics.

Having assessed the report number: 20806-1-TR-E1 performed by CERE based on the requirements of the EN ISO/IEC 17025: 2017.

The above-mentioned generating unit complies with the requirements of the:

MIL-STD-704E Aircraft electric power characteristics.

This certification is according the CERE internal process PET-CERE-09 Rev 34 that defines the certification scheme, based on the requirements of the EN ISO/IEC 17065:2012. For this certification process the conformity assessment activities were based on:

- Testing of production samples selected by CERE.

This certificate cancels and supersedes the certificate number 20806-1-CER-E1 issued on March 17, 2021.

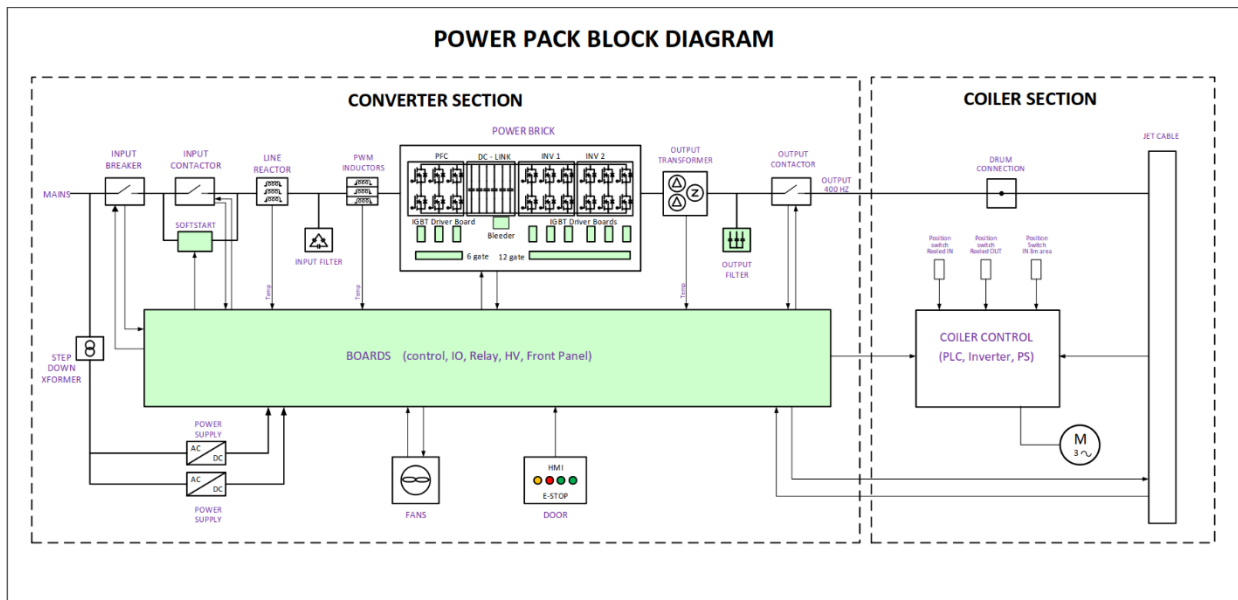
Madrid, October 21, 2022. This certificate is valid until February 24, 2024.

Esther Ortega
Head of certification department

Technical data

Manufacturer	Dabico Airport Solutions
Model	F-CP-2004038-001 / Power pack
Facility type	Type 1
Rating (KVA)	90 KVA/ 90kW
Output voltage	115/200 Vrms 400Hz
GPU-to-aircraft stinger style / length used for test	Standard cable: Total length: 30 m Usable length: 28 m
Load equipment used	RLC load

Electrical Diagram of F-CP-2004038-001:



The sample selected to test was representative of the production. The sample was selected in:

Dabico Airport Solutions
Gottlieb-Daimler-Staße 7
63128. Dietzenbach. Germany

RECORD OF CHANGES

Revision	Reason of the modification	Modification	Date
0	Initial version	--	21/10/2022