

<b>Product Certificate Number</b>	<b>21829-1-CER</b>
<b>Applicant</b>	Dabico Airport Solutions Gottlieb-Daimler-Staße 7 63128. Dietzenbach. Germany
<b>Models</b>	F-CP-2004038-001
<b>Type of unit</b>	Power Pack
<b>Technical Data</b>	See page 2
<b>Software version</b>	0.22
<b>Standard</b>	<b>ISO 6858:2018</b> Aircraft – Ground support electrical supplies – General requirements.

Having assessed the report number: 20806-TR-E2 performed by CERE based on the requirements of the EN ISO/IEC 17025: 2017.

The above-mentioned generating unit complies with the requirements of the:

**ISO 6858:2018** Aircraft – Ground support electrical supplies – General requirements.

This certification is according the CERE internal process PET-CERE-09 Rev 34 that defines the certification scheme, based on the requirements of the EN ISO/IEC 17065:2012. For this certification process the conformity assessment activities were based on:

- Testing of production samples selected by CERE.

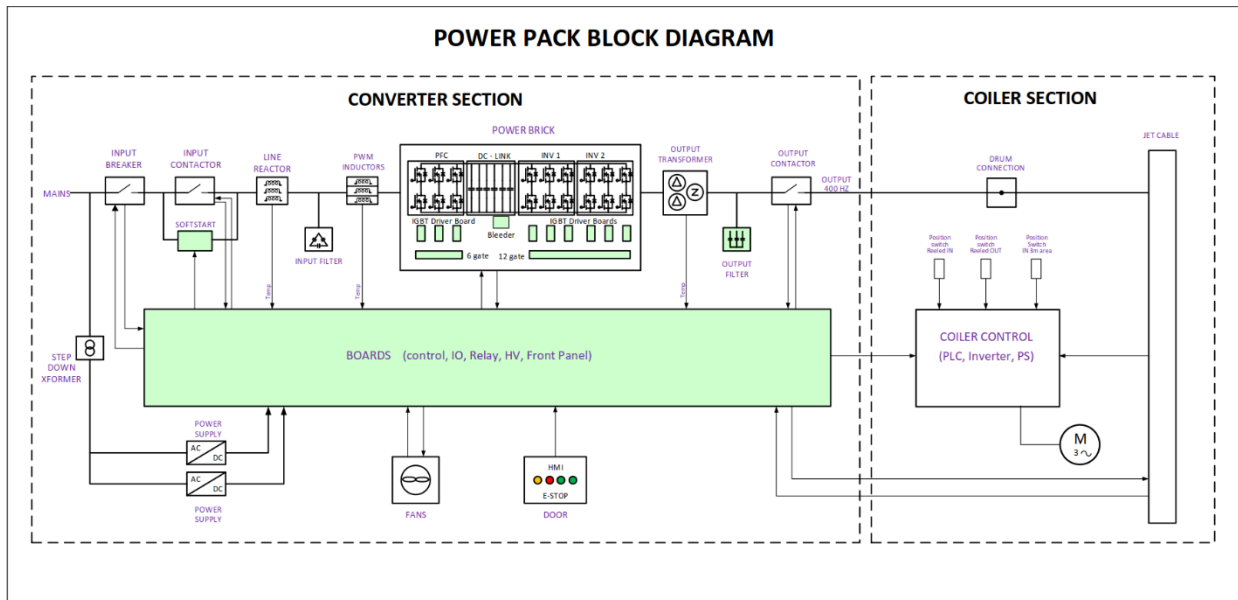
This certificate cancels and supersedes the certificate number 20806-CER-E2 issued on January 12, 2020.

Madrid, October 21, 2022. This certificate is valid until December 23, 2023.

Esther Ortega  
Head of certification department

**Technical data**

Manufacturer	Dabico Airport Solutions
Model	F-CP-2004038-001 / Power pack
Facility type	Type 1
Rating (KVA)	90 KVA/ 90kW
Output voltage	115/200 Vrms 400Hz
GPU-to-aircraft stinger style / length used for test	Standard cable: Total length: 30 m Usable length: 28 m
Load equipment used	RLC load
Electrical Diagram of F-CP-2004038-001:	



The sample selected to test was representative of the production. The sample was selected in:

Dabico Airport Solutions  
Gottlieb-Daimler-Staße 7  
63128. Dietzenbach. Germany

**RECORD OF CHANGES**

Revision	Reason of the modification	Modification	Date
0	Initial version	--	21/10/2022